

The Badger[®] Series 220 PVCS flow sensor is an insertion style flow sensor constructed of non-metallic materials for all wetted parts. These sensors are designed for service in corrosive liquids. The metallic trim, in non-wetted areas, is 316 Stainless Steel. The sensor mounts in a 2" NPT thread and may be attached to the pipe with a saddle or other types of mounting hardware.

The Series 220 PVCS sensor features a six bladed impeller design with a proprietary, non-magnetic sensing mechanism. The impeller shape coupled with the absence of magnetic drag provides consistent accuracy and repeatability throughout the flow range of the sensor. As the liquid turns the impeller, a low impedance signal is transmitted with a frequency proportional to the flow rate. This signal can travel up to 2000 feet between the sensor and the display unit without the need for amplification. The sensor is supplied with 20 feet of shielded two wire cable.

SPECIFICATIONS

Mechanical

Recommended Design Flow Range

- 0.5 to 30 ft/sec
- Initial detection below 0.3 ft/sec

Accuracy

- ± 1.0% of full scale over recommended design flow range
- ± 4.0% of reading within calibration range

Repeatability

- ± 0.3% of full scale over recommended design flow range

Linearity

- ± 0.2% of full scale over recommended design flow range

Max Pressure

- 100psi @ 68°F (20°C)

Max Temperature

- 140°F (60°C) @ 40psi

Electrical

Transducer Excitation

- Quiescent current 600uA@8VDC to 35VDC max.
- Quiescent voltage (V_{high}) Supply Voltage -(600uA*Supply impedance)
- ON State (V_{Low}) Max. 1.2VDC@40mA current limit (15W+0.7VDC)

Output Frequency

- 3.2 Hz to 200 Hz

Output Pulse Width

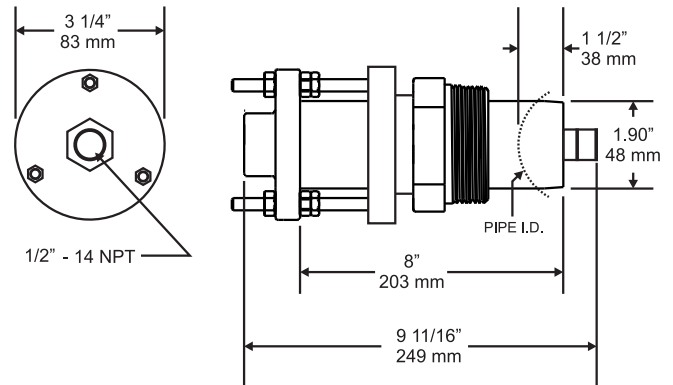
- 5 msec ±25%

Cable

- 20 feet of 2-conductor 20 AWG shielded U.L. type PTLC wire provided for connection to display or analog transmitter unit. Rated to 105°C. May be extended to a maximum of 2000 feet with similar cable and insulation appropriate for application.



DIMENSIONS



Wetted Materials

- | | |
|----------------------------|--|
| Impeller & bearing: | Tefzel [®] |
| Shaft: | Zirconia Ceramic |
| Housing: | Glass reinforced polyphenylene Sulfide (PPS) |
| O-Ring: | Ethylene Propylene (EPDM) |
| Sleeve & Mounting adapter: | Polyvinyl Chloride (PVC) |

Non-Wetted Materials

- | | |
|-------|---------------------|
| Trim: | 316 Stainless Steel |
|-------|---------------------|

NOTE: Optional materials available for O-Ring, Shaft and Impeller, consult factory



DTB-004-01

Badger[®] and Data Industrial[®] are registered trademarks of Badger Meter, Inc.

4-09

ETA Associates
119 Foster Street, Bldg #6
Peabody, MA 01960
Tel: (978) 532-1330
Fax: (978) 532-7325
www.ETAassociates.com
eta@ETAassociates.com

Due to continuous research, product improvements and enhancements, Badger Meter reserves the right to change product or system specifications without notice, except to the extent an outstanding contractual obligation exists.

BadgerMeter, Inc.
P.O. Box 581390, Tulsa, Oklahoma 74158
(918) 836-8411 / Fax: (918) 832-9962
www.badgermeter.com